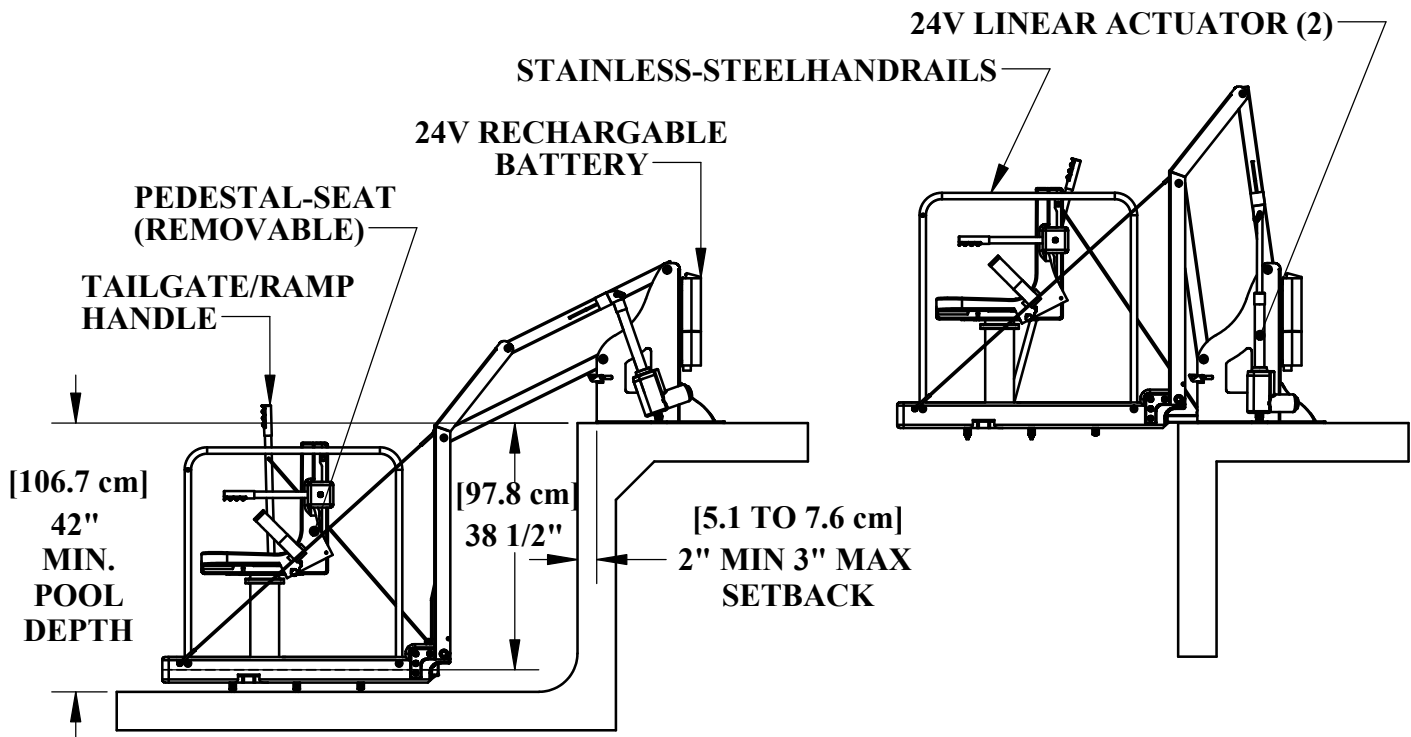


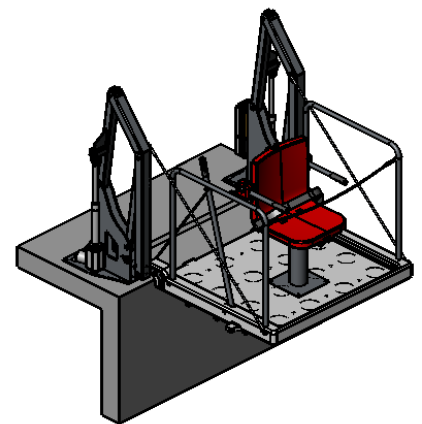
THE LIBERTY LIFT™



SPECIFICATIONS:

THE AQUA CREEK LIBERTY LIFT SHALL BE A 24V BATTERY POWERED IN-GROUND POOL LIFT. THE LIFT SHALL BE MADE OF STAINLESS STEEL AND BE DESIGNED TO LIFT 400LBS [181 kgs]. IT SHALL ACCOMODATE A USER WITH OR WITHOUT A WHEELCHAIR. THE LIBERTY LIFT SHALL ALSO INCORPORATE A REMOVABLE PEDESTAL CHAIR. THE CHAIR HEIGHT SHALL BE 18" [45.7 cm] AND IT SHALL SWIVEL 360°. THE LIFT SHALL LOWER INTO THE POOL TO A MAXIMUM DEPTH OF 38-1/2" [97.8cm]. AN ACCESS RAMP SHALL BE ATTACHED TO THE PLATFORM AND SHALL DOUBLE AS A TAILGATE WHILE THE LIFT IS IN USE. THE LIFT PLATFORM SHALL BE ABLE TO BE FLIPPED UP MANUALLY AND LOCKED INTO A STOWED POSITION WHILE THE LIFT IS NOT IN USE. A 24V WATERPROOF CONTROLLER SHALL BE USABLE BY THE OPERATOR OR AN ATTENDANT. A CONTROL BOX, BATTERY CHARGER, AND ONE (1) REMOVABLE 24V RECHARGABLE BATTERY SHALL BE INCLUDED AS STANDARD EQUIPMENT. THE LIFT SHALL CARRY A FIVE-YEAR WARRANTY ON ALL STRUCTURAL COMPONENTS, AND A 5-YEAR PRO-RATED WARRANTY ON ALL ELECTRICAL COMPONENTS.

| | |
|-------------------|--|
| BASE PLATES: | 1/4" [6.4mm] TYPE 304 STAINLESS STEEL |
| BASE FRAMES: | 3/16" [4.8mm] TYPE 304 STAINLESS STEEL |
| TAILGATE: | 1/8" [3.2mm] TYPE 304 STAINLESS STEEL |
| LIFTING ARMS: | 2" x 2" x .120" [5.1 x 5.1 x .30cm] TYPE 304 S.S. TUBE |
| PLATFORM: | UV STABILIZED ROTATIONALLY MOLDED LLDPE |
| LINEAR ACTUATORS: | LINAK LA34 |
| PEDESTAL BASE: | TYPE 304 STAINLESS STEEL |
| PEDESTAL CHAIR: | UV STABILIZED ROTATIONALLY MOLDED MDPE |



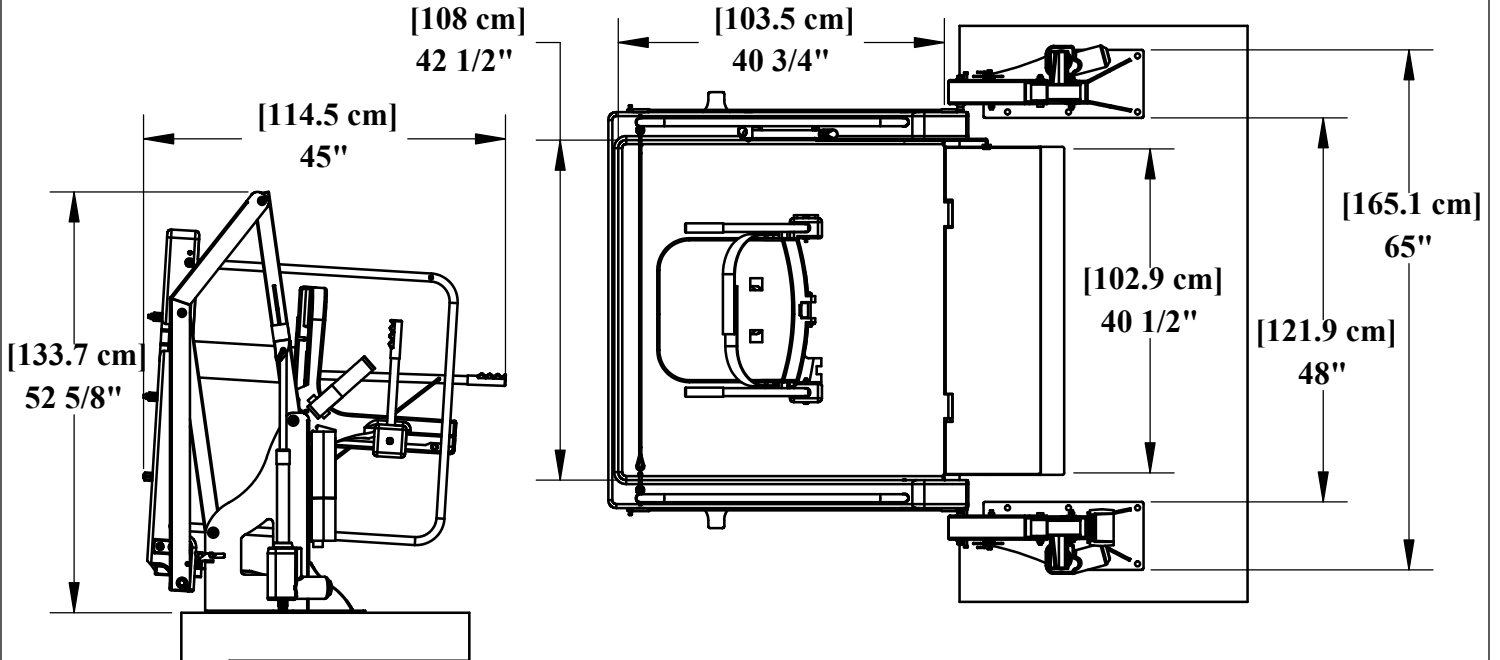
Aqua Creek Products
The Total Solution for Pool and Spa Access

9889 GARRY MORE LANE
MISSOULA, MT 59808
(406) 549-0769
FAX (406) 549-2602

NOTE:
*SPECIFICATIONS ARE SUBJECT TO CHANGE WITHOUT NOTICE
*ALL DIMENSIONS ARE IN INCHES

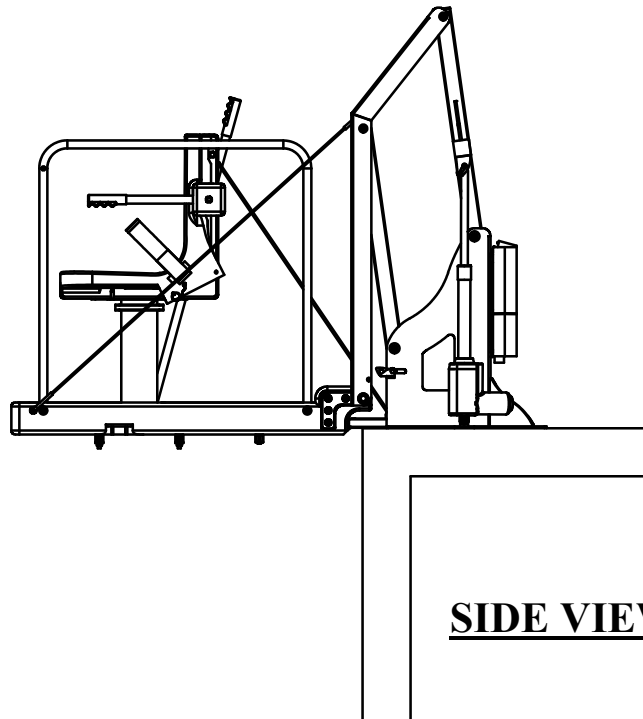
| | | |
|-----------|------------|---------------|
| PRODUCT: | F-091LLB | |
| DWG #: | F-091LLB-1 | |
| SCALE: | 1:24 | DATE: 2/24/10 |
| DRAWN BY: | DS | REVISION: E |

THE LIBERTY LIFT™



TOP VIEW: LOADING POSITION

**SIDE VIEW
STOWED POSITION**



SIDE VIEW

SIDE VIEW: LOADING POSITION



Aqua Creek Products
The Total Solution for Pool and Spa Access

9889 GARRY MORE LANE
MISSOULA, MT 59808
(406) 549-0769
FAX (406) 549-2602

NOTE:
*SPECIFICATIONS ARE SUBJECT TO CHANGE WITHOUT NOTICE
*ALL DIMENSIONS ARE IN INCHES

| | | |
|-----------|------------|---------------|
| PRODUCT: | F-091LLB | |
| DWG #: | F-091LLB-2 | |
| SCALE: | 1:24 | DATE: 2/24/10 |
| DRAWN BY: | DS | REVISION: E |